



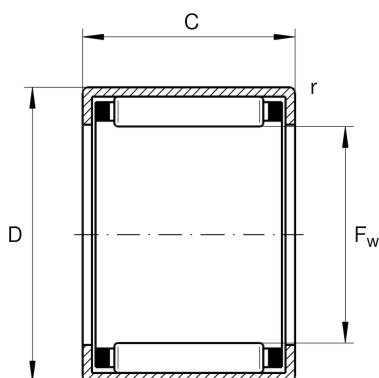
HK0609

Drawn cup needle roller bearing open end

Schaeffler ID:
0011975840000

Drawn cup needle roller bearings with
open ends HK, to DIN 618/ISO 3245

Technical information



Main Dimensions & Performance Data

F_w	6 mm	Under roller diameter
D	10 mm	Outside diameter
C	9 mm	Width
C_r	2,850 N	Basic dynamic load rating, radial
C_{0r}	2,600 N	Basic static load rating, radial
C_{ur}	320 N	Fatigue load limit, radial
n_G	36,500 1/min	Limiting speed
$n_{G \text{ Grease}}$	21,900 1/min	Limiting speed for grease lubrication
n_{gr}	30,500 1/min	Reference speed
	2.26 g	Weight

Dimensions

	GR6X10X2	Sealing ring
C_1	9 mm	Width, outer ring
r_{min}	0.4 mm	Minimum chamfer dimension

Temperature range

T_{min}	-30 °C	Operating temperature min.
T_{max}	140 °C	Operating temperature max.